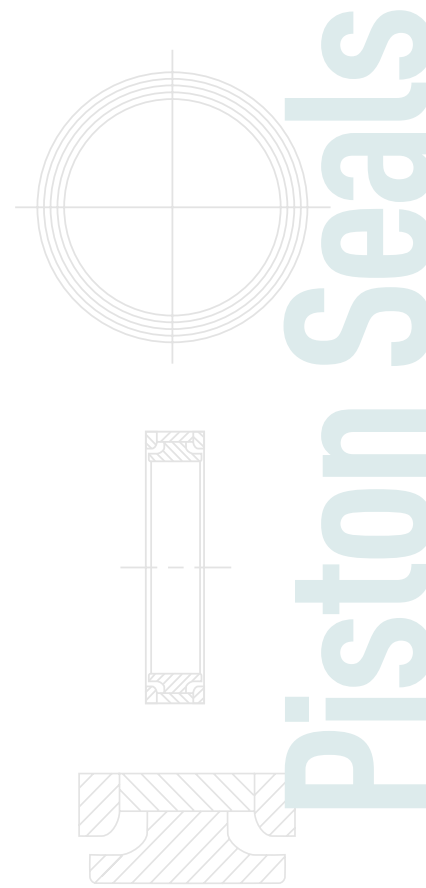


O-Rings & Kits
Wipers
Compounds
Custom Parts
Specialty Parts
Services
Wear Guides
Rod Seals

Piston Seals

QUALITY | VALUE | SERVICE



Five decades of perfect fits.



You may be in a business with large manufacturing systems, but it can all come down to the quality of a little thing like a seal. In our business, seals are the biggest deal.





We've built a five decade reputation for precision, reliability and service, and our dedicated Original Equipment Manufacturers have made RT Dygert an industry leader in fluid power, chemical processing, agricultural, food & beverage, plumbing and numerous other markets.

We're as demanding of our supplies as you are of yours. We source our products from around the world, and we've developed exceptionally strong relationships with a diverse supplier roster.

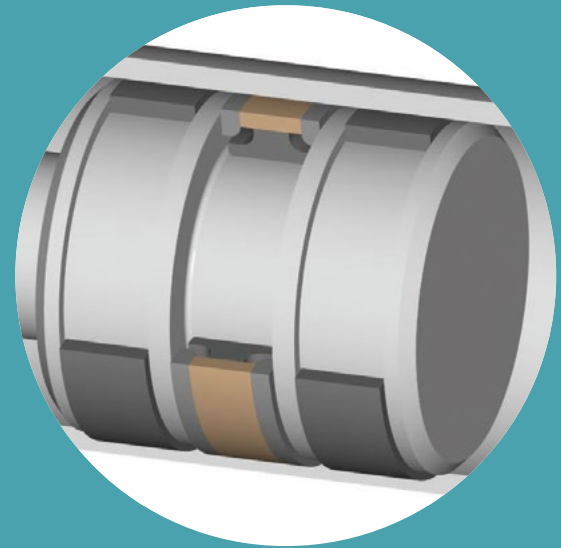
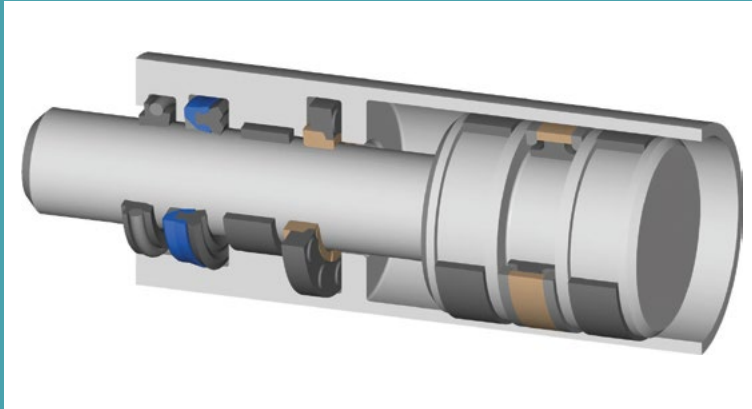
Custom needs? We can help you with engineering, prototyping, testing and industry certification, no matter how challenging your project. Our one-stop efficiencies also include JIT/Kanban programs, pre-production and kitting, special marking and packaging options and more.

For more information, quick quotations, expert consultation and responsive customer service call us at 866.783.8883 or visit www.rtdygert.com.

PISTON SEALS

<p>LOADED U-CUP</p> 	<p>PRESSURE 6,000 PSI</p> <p>TEMPERATURE RANGE -50° – +250° F</p> <p>VELOCITY 3.2 feet/sec</p>	<p>MATERIALS Urethane HP Urethane Hytrel™ Nitrile Viton™ EPDM</p>	<p>FEATURES Rectangular seal Scraper lip</p>	<p>APPLICATIONS Mobile hydraulic Agricultural General industrial Low pressure sealing</p>
<p>ASSYMETRICAL UNLOADED U-CUP</p> 	<p>PRESSURE 5,000 PSI</p> <p>TEMPERATURE RANGE -50° – +250° F</p> <p>VELOCITY .07 feet/sec</p>	<p>MATERIALS Urethane HP Urethane Hytrel™ Nitrile Viton™ EPDM</p>	<p>FEATURES Improved seal stability Improved wear resistance</p>	<p>APPLICATIONS Agricultural General industrial</p>
<p>PTFE</p> 	<p>PRESSURE 5,000 PSI</p> <p>TEMPERATURE RANGE -65° – +400° F</p> <p>VELOCITY 3.2 feet/sec</p>	<p>MATERIALS Glass filled PTFE Moly PTFE Carbon Graphite PTFE Bronze PTFE</p>	<p>FEATURES Low friction Long service life</p>	<p>APPLICATIONS Mobile hydraulic Agricultural General industrial Heavy duty</p>
<p>T-SEAL</p> 	<p>PRESSURE 5,000 PSI</p> <p>TEMPERATURE RANGE 65° – +400° F</p> <p>VELOCITY 0.4 feet/sec</p>	<p>MATERIALS Nitrile Viton™ EPDM HNBR Backup: Nylon Backup: PTFE Backup: PEEK</p>	<p>FEATURES Square seal for stability Low pressure sealing Anti extrusion rings Dynamic sealing surface</p>	<p>APPLICATIONS Retrofit standard industrial O-Ring grooves Limited axial length Wide base available</p>





QUALITY | VALUE | SERVICE

O-RING LOADED PISTON SEAL	PRESSURE 5,000 PSI	MATERIALS Urethane HP Urethane Hyrel™	FEATURES Square seal Back beveled lip Energized seal Retrofit Mil-G-5514F O-Ring grooves Low pressure seal ability	APPLICATIONS Mobile hydraulic Agricultural Heavy duty Vacuum High pressure Bi-directional sealing Heavy duty hydraulic
	TEMPERATURE RANGE -50° – +250° F			
	VELOCITY 0.3 feet/sec			
URETHANE PISTON SEAL	PRESSURE 6,000 PSI	MATERIALS Urethane	FEATURES Bi-directional sealing Grooves prevent blow-by Energized seal	APPLICATIONS Earthmoving equipment Forklift Agricultural equipment Stabilizer Standard hydraulic cylinders Cranes Presses
	TEMPERATURE RANGE -65° – +250° F			
	VELOCITY 0.7 feet/sec			
CAPPED T-SEAL	PRESSURE 10,000 PSI	MATERIALS Nitrile Viton™ EPDM HNBR Backup: Nylon Backup: Delrin Cap: PTFE Cap: filled PTFE	FEATURES Low pressure sealing Long life Low friction Anti extrusion rings Dynamic sealing surface	APPLICATIONS Mobile hydraulic Heavy duty
	TEMPERATURE RANGE -65° – +400° F			
	VELOCITY 3.2 feet/sec			
GROOVED PISTON SEAL	PRESSURE 5,000 PSI	MATERIALS Nitrile Viton™ Bronze PTFE Glass/Moly PTFE Graphite PTFE Carbon Graphite PTFE	FEATURES Bi-directional sealing Grooves prevent blow-by Energized seal	APPLICATIONS Piston accumulators Medium duty hydraulic cylinders General purpose High temperature High pressure Low speed rotary
	TEMPERATURE RANGE -65° – +400° F			
	VELOCITY 0.7 feet/sec			

NOTE: Capabilities shown in this brochure are directly related to design tolerances. Please consult with RT Dygert for your specific application.

Piston Seals

sales@rtdygert.com • www.rtdygert.com

MINNEAPOLIS
12121 Nicollet Avenue S.
Burnsville, MN 55337
952.835.1700 PHONE
866.783.8883 TOLL FREE
952.835.1701 FAX

CHICAGO
2700 S. River Road, Suite 116
Des Plaines, IL 60018
847.675.1444 PHONE
800.423.9272 TOLL FREE
847.675.8889 FAX

SEATTLE
3902 W. Valley Hwy N., Suite 200
Auburn, WA 98001
253.218.0123 PHONE
877.796.0123 TOLL FREE
253.218.0121 FAX

© 2015, RT Dygert, Inc. Rev 12.16

LIMITED WARRANTY RT Dygert ("Seller") warrants that its products ("Goods") will perform in accordance with their specifications; that the goods will be free from manufacturing defects for a period of twelve (12) months from the date of delivery of the goods to Buyer; and that the goods will be as specified by Buyer in the purchase order. Seller should have the right to elect to either refund the purchase price for any defective goods or replace any defective goods, provided that the goods were used in the manner for which they were manufactured. Seller does not warrant that the goods are fit for any particular purpose. Seller should have no obligation to refund the purchase price or replace goods that are rendered defective by a Buyer or a third party after they leave Seller's place of shipment.

LIMITED LIABILITY Seller's liability for its goods is limited to their terms set forth in Seller's express warranty set for above, in no event shall Seller's liability exceed the total purchase order price. Seller is not assuming any liability for any indirect, collateral, special, incidental or consequential losses or damages suffered by Buyer, or by any end-user or other third party, including but not limited to, lost profits, loss of business reputation and/or lost business opportunity, for any possible cause of action or claim arising out of or related to the goods sold to Buyer, even if Seller has been advised of the possibility of such loss or damage.

