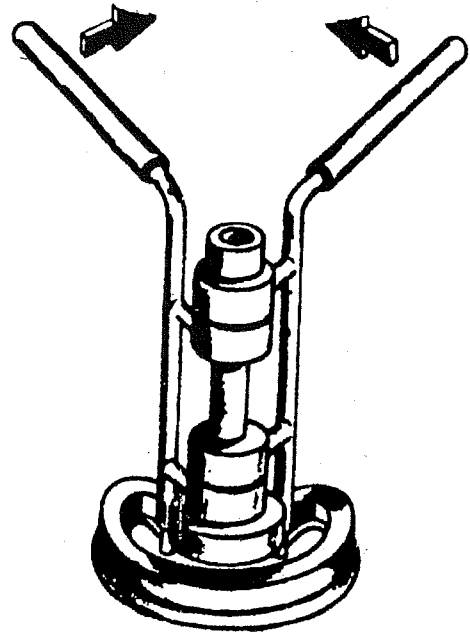
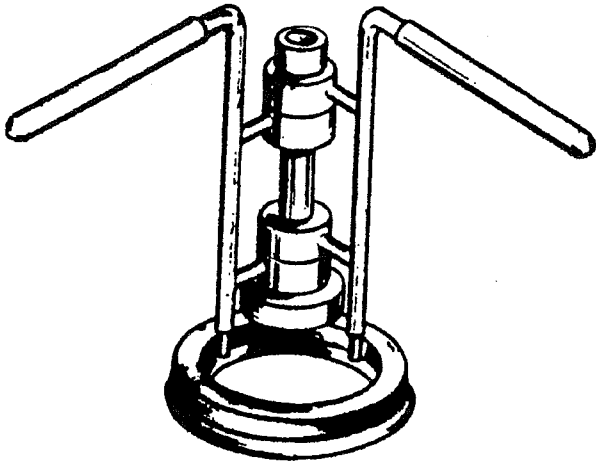
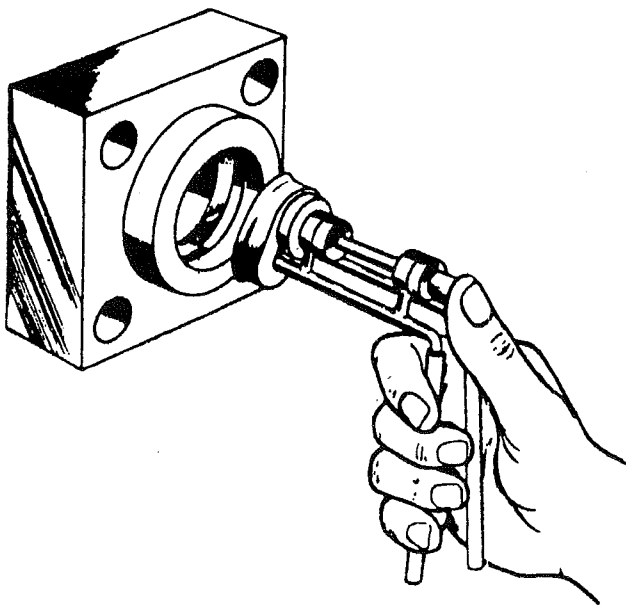


# Rod Seal Installation Tool



1. Place seal on flat surface with seal lip down.
2. Open tool so that center pin is outside the seal O.D. and the handle pins are inside the I.D.
3. Rotate handles to deform seal (See Above).

4. Install seal in groove from external end of bore.
5. Release pressure and remove tool.
6. With finger pressure snap remaining part of seal into groove.



*Available in three sizes: IT-100 for 1" to 1-1/2" shafts, IT-150 for 1-1/2" to 2" shafts, and IT-200 for 2" and up shafts.*