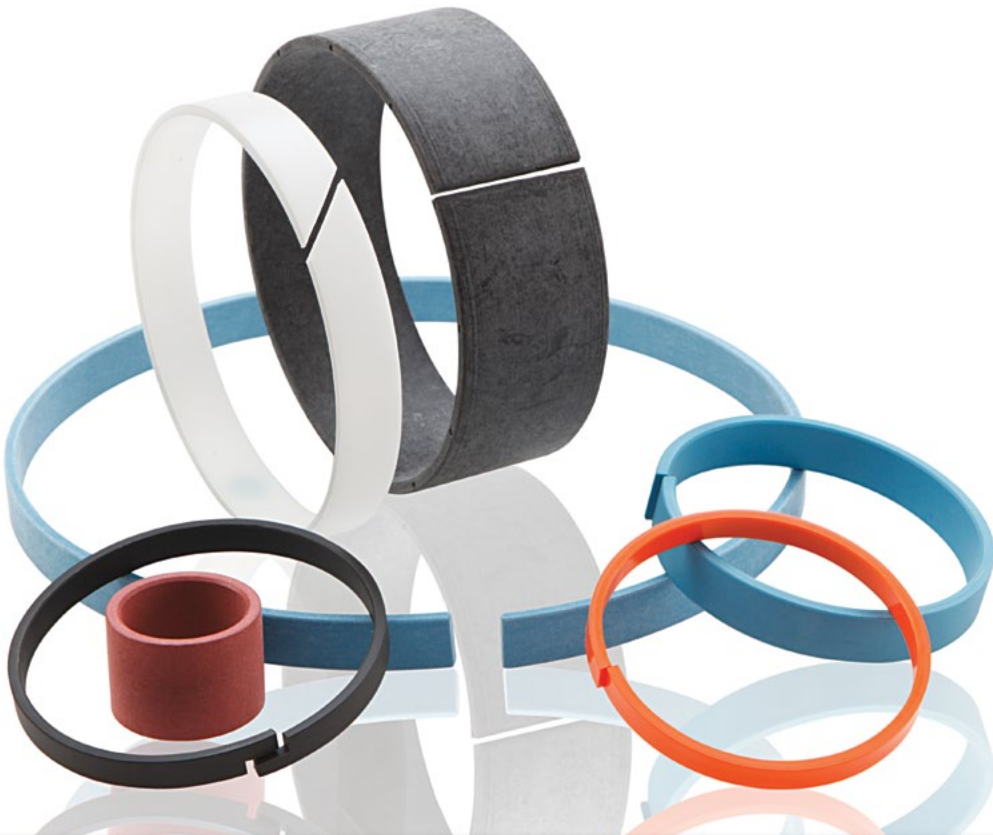


O-Rings & Kits  
Wipers  
Compounds  
Custom Parts  
Specialty Parts  
Services  
Rod Seals  
Piston Seals

QUALITY | VALUE | SERVICE

# Wear Guides

Wear Guides



# Precision-close tolerance wear guides.



When it comes to moving parts in hydraulic and pneumatic cylinders, the highest quality wear guides are a must, preventing metal to metal contact and allowing continuous precision performance. Injection molding assures the greatest compressive strength. Imbedded nylon material helps protect hardware, prevent contamination and prohibit scoring and seal damage. Our wear guides are machined to the tightest tolerances and can be customized to your needs.

RT Dygert has provided the industry's finest for over five decades, serving markets like hydraulics and pneumatics, oil and gas, robotics, chemical processing, food and beverage, lawn & garden, agricultural, mining, pumps and valves, wind energy and more. Our ISO 9001 Certification attests to our high standards.

For more information, quick quotations, expert consultation and responsive customer service call us at 866.783.8883 or visit [www.rtdygert.com](http://www.rtdygert.com).

## JOINT STYLES



**BUTT-CUT WEAR GUIDE**



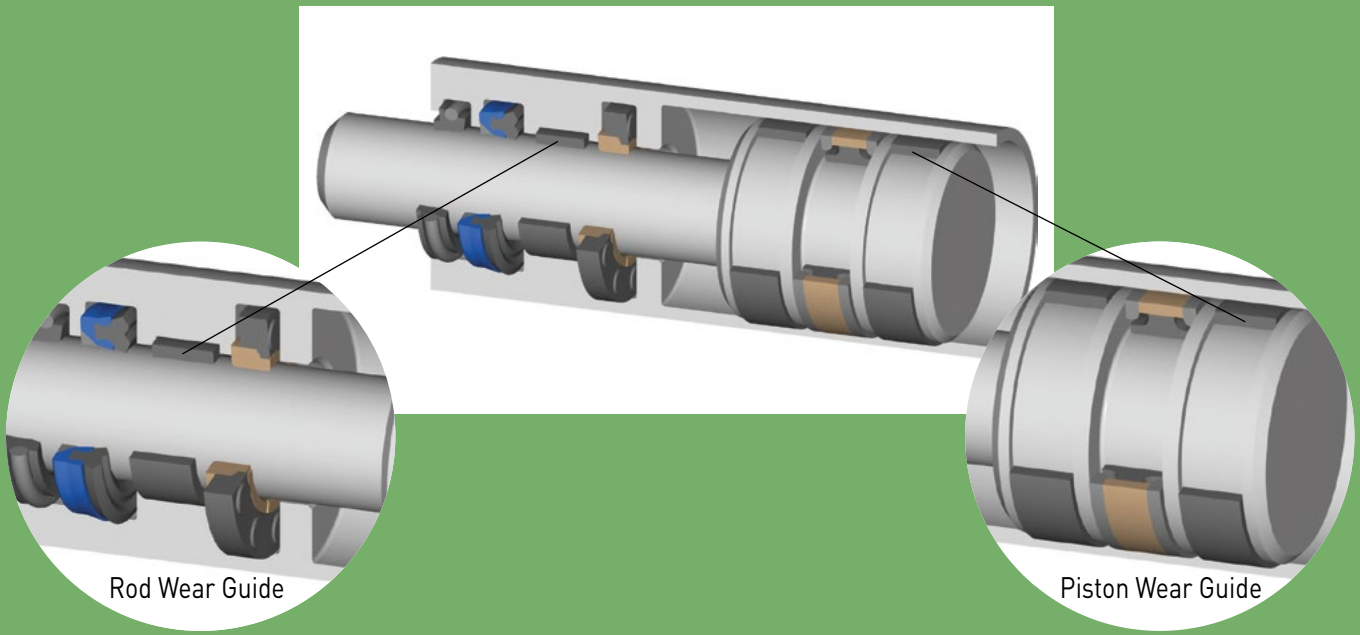
**ANGLE-CUT WEAR GUIDE**



**STEP-CUT WEAR GUIDE**

## RADIAL CROSS-SECTIONS

NOMINAL	ACTUAL	
1/16"	.062/.060	
3/32"	.093/.091	
1/8"	.125/.123	
3/16"	.187/.185	
NOMINAL	ACTUAL	
1,5mm	1,50/1,45	
2,0mm	2,00/1,95	
2,5mm	2,50/2,45	
3,0mm	3,00/2,95	
3,5mm	3,50/3,45	
4,0mm	4,00/3,95	
5,0mm	5,00/4,95	
6,0mm	6,00/5,95	

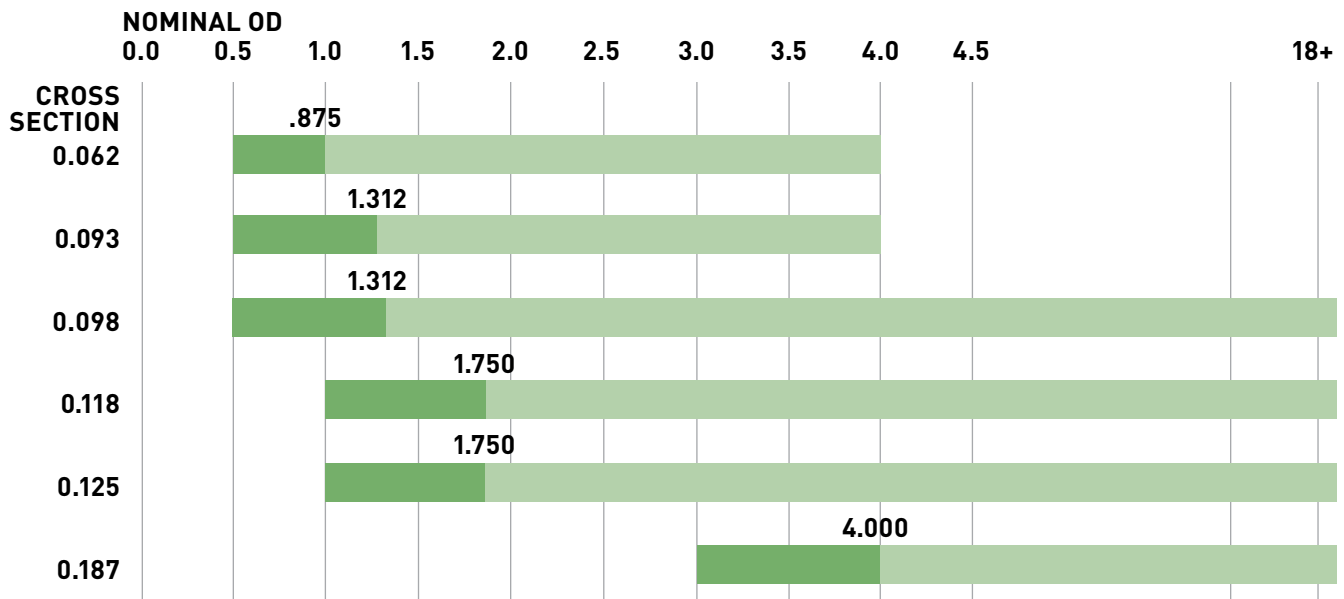


QUALITY | VALUE | SERVICE

## MATERIALS

TYPE & DESCRIPTION	ADVANTAGES
Nylon, Glass-Fiber Reinforced	High compressive strength and load bearing with low wear properties
GFR Nylon & PTFE	High compressive strength with added lubricity
PTFE, Bronze filled	Low coefficient of friction, chemical resistance, no swell in moisture
Phenolic	High compressive strength at high temperatures, low friction
Acetal	No swell with good compressive strength, non-abrasive
PEEK, Carbon Graphite filled	High temperature limit, compressive strength, chemical resistance

## RECOMMENDED C/S(IN) VS. DIAMETER



Light sections indicate installation for blind glands.

Wear Guides

[sales@rtdygert.com](mailto:sales@rtdygert.com) • [www.rtdygert.com](http://www.rtdygert.com)

**MINNEAPOLIS**

**12121 Nicollet Avenue S.  
Burnsville, MN 55337**  
**952.835.1700** PHONE  
**866.783.8883** TOLL FREE  
**952.835.1701** FAX

**CHICAGO**

**2700 S. River Road, Suite 116  
Des Plaines, IL 60018**  
**847.675.1444** PHONE  
**800.423.9272** TOLL FREE  
**847.675.8889** FAX

**SEATTLE**

**3902 W. Valley Hwy N., Suite 200  
Auburn, WA 98001**  
**253.218.0123** PHONE  
**877.796.0123** TOLL FREE  
**253.218.0121** FAX

© 2015, RT Dygert, Inc. Rev 1.15

**LIMITED WARRANTY** RT Dygert ("Seller") warrants that its products ("Goods") will perform in accordance with their specifications; that the goods will be free from manufacturing defects for a period of twelve (12) months from the date of delivery of the goods to Buyer; and that the goods will be as specified by Buyer in the purchase order. Seller should have the right to elect to either refund the purchase price for any defective goods or replace any defective goods, provided that the goods were used in the manner for which they were manufactured. Seller does not warrant that the goods are fit for any particular purpose. Seller should have no obligation to refund the purchase price or replace goods that are rendered defective by a Buyer or a third party after they leave Seller's place of shipment.

**LIMITED LIABILITY** Seller's liability for its goods is limited to their terms set forth in Seller's express warranty set for above, in no event shall Seller's liability exceed the total purchase order price. Seller is not assuming any liability for any indirect, collateral, special, incidental or consequential losses or damages suffered by Buyer, or by any end-user or other third party, including but not limited to, lost profits, loss of business reputation and/or lost business opportunity, for any possible cause of action or claim arising out of or related to the goods sold to Buyer, even if Seller has been advised of the possibility of such loss or damage.

